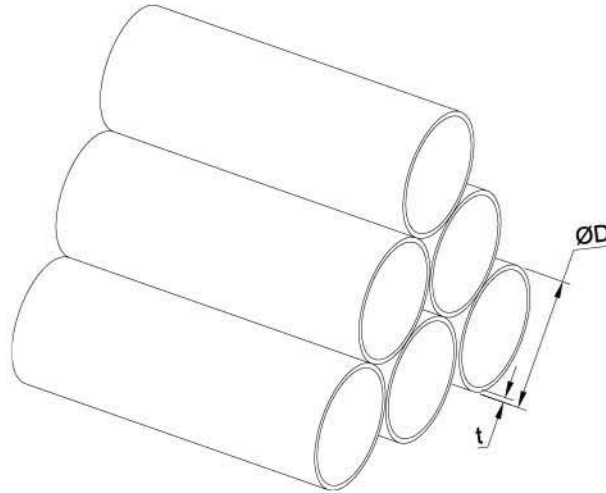


钢管 Tube



ISO/IDF			SMS-DS				3A			ISO 2037(JIS G3447)	
Size	D	t	Size	D	t		Size	D	t	Size	t
					1	2					
1/2"	12.7	1.5/1.0	25	25	1.25	1.5	1/2"	12.7	1.65	12	1.0
3/4"	19.1	1.5/1.0	32	32	1.25	1.5	3/4"	19	1.65	12.7	1.0
1"	25.4	1.5/1.2	38	38	1.25	1.5	1"	25.4	1.65	17.2	1.0
1 1/4"	31.8	1.5/1.2	51	51	1.25	1.5	1 1/2"	38.1	1.65	21.3	1.0
1 1/2"	38.1	1.5/1.2	63.5	63.5	1.5	2.0	2"	50.8	1.65	25	1.2/1.6
Φ45	45.0	2.0	76	76	1.6	2.0	2 1/2"	63.5	1.65	33.7	1.2/1.6
Φ48	48.0	1.5	89	89	2.0	2.0	3"	76.2	1.65	38	1.2/1.6
2"	50.8	1.5	101.6	101.6	2.0	2.0	4"	101.6	2.1	40	1.2/1.6
Φ57	57.0	2.0					6"	152.4	2.8	51	1.2/1.6
2 1/2"	63.5	2.0					8"	203.2	2.8	63.5	1.6
3"	76.2	2.0					10"	254	3.4	70	1.6
3 1/2"	89.0	2.0					12"	305	3.4	76.1	1.6
4"	101.6	2.0								88.9	2.0
Φ108	108.0	2.0								101.6	2.0
4 1/2"	114.3	3.0								114.3	2.0
Φ133	133.0	3.0								139.7	2.0
Φ159	159.0	3.0								138.3	2.6
Φ204	204.0	3.0								219.1	2.6

DIN11850				BS4825		ISO1127		JIS 3459			
Size	D × t	D × t	D × t	D × t	Size	t	Size	t	Size	D	t
DN10	12 × 1.0	13 × 1.5	14 × 2.0	12 × 1.5	12.7	1.2	26.9	1.6	8A	13.8	1.65
DN15	18 × 1.0	19 × 1.5	20 × 2.0	18 × 1.5	15.88	1.2	33.7	2.0	10A	17.3	1.65
DN20	22 × 1.0	23 × 1.5	24 × 2.0	22 × 1.5	19.05	1.2	42.4	2.0	15A	21.7	2.1
DN25	28 × 1.0	29 × 1.5	30 × 2.0	28 × 1.5	25.4	1.2/1.6	48.3	2.0	20A	27.2	2.1
DN32	34 × 1.0	35 × 1.5	36 × 2.0	34 × 1.5	38.1	1.2/1.6	60.3	2.0	25A	34.0	2.8
DN40	40 × 1.0	41 × 1.5	42 × 2.0	40 × 1.5	50.8	1.2/1.6	76.2	2.0	32A	42.7	2.8
DN50		53 × 1.5		52 × 1.5	63.5	1.6/1.6	88.9	2.0	40A	48.6	2.8
DN65	52 × 1.0	70 × 2.0	54 × 2.0	70 × 2.0	76.2	1.6/1.6	114.3	2.0	50A	60.5	2.8
DN80		85 × 2.0		85 × 2.0	101.6	2.0	139.7	2.0	65A	76.3	3.0
DN100		104 × 2.0		104 × 2.0	114.3	2.0			80A	89.1	3.0
DN125		129 × 2.0		129 × 2.0	139.7	2.0	168.3	3.6	90A	101.6	3.0
DN150		154 × 2.0		154 × 2.0	168.3	2.6	219.1	3.6	100A	114.3	3.0
DN200		204 × 2.0		204 × 2.0	219.1	2.6			125A	139.8	3.4
									150A	165.2	3.4
									200A	216.5	3.4
	Series1 系列 1	Series2 系列 2	Series3 系列 3	Series4 系列 4							